

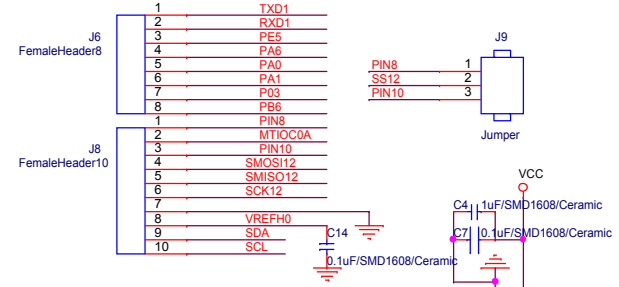
J25 MCU Operating Mode

1	Operating Mode
OFF	Single Chip/DEBUG Mode
ON	USB Boot Mode

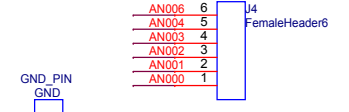
USB Boot Mode Power Configuration

2	Power Configuration for USB Boot
OFF	Bus Powered
ON	Self Powered

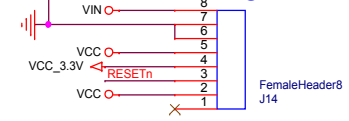
### DIGITAL I/O



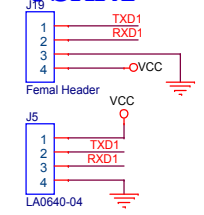
### ANALOG INPUT



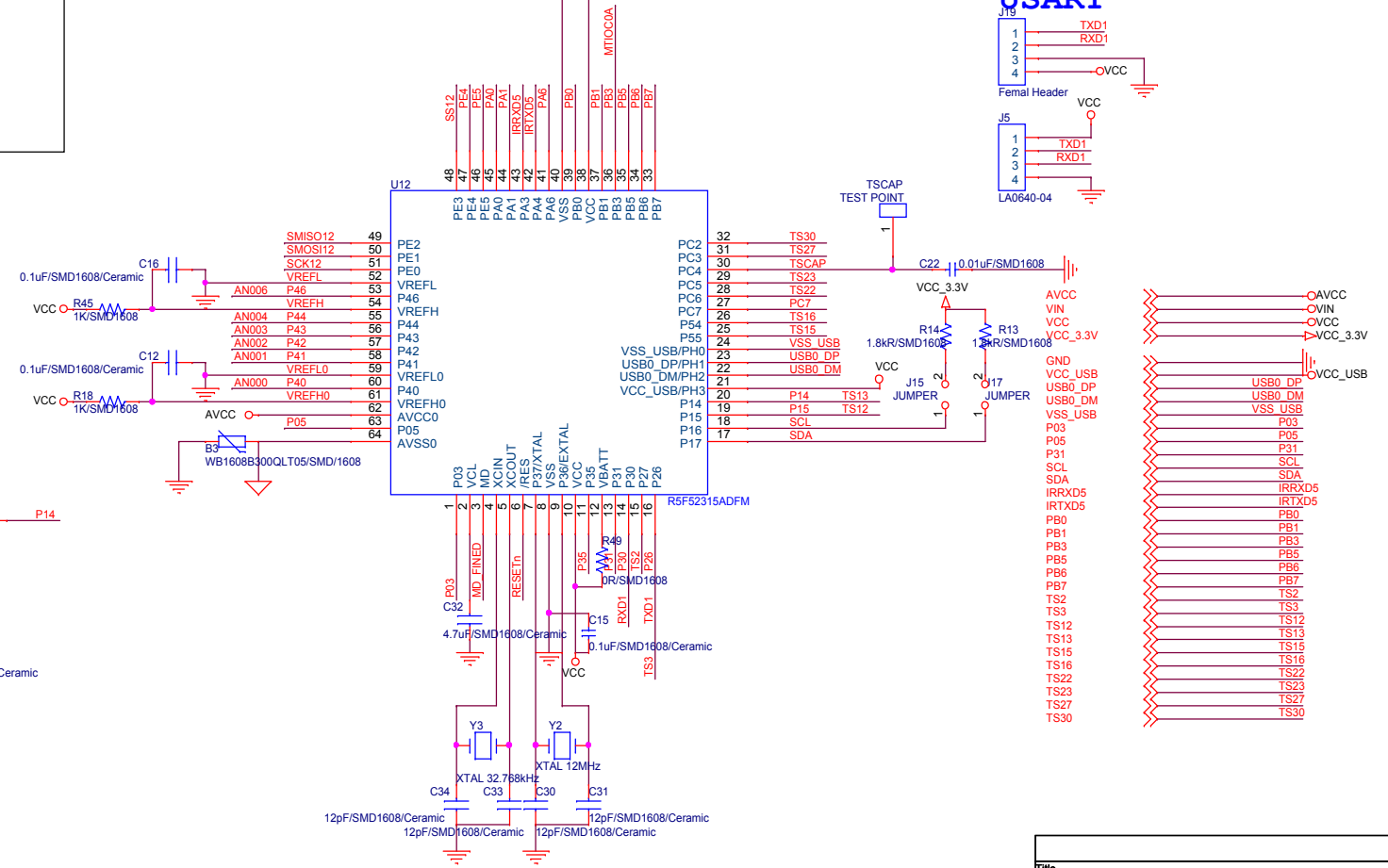
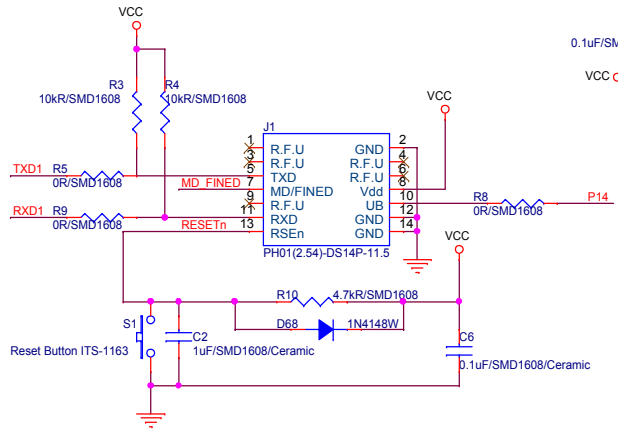
### POWER PINS



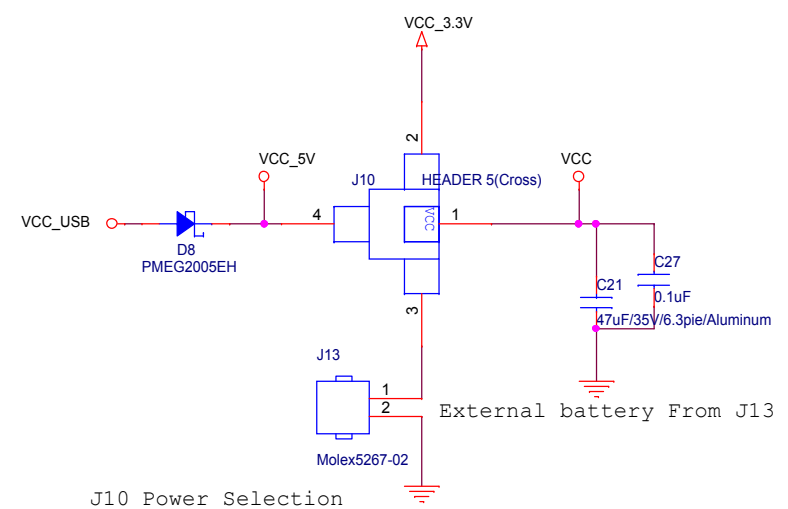
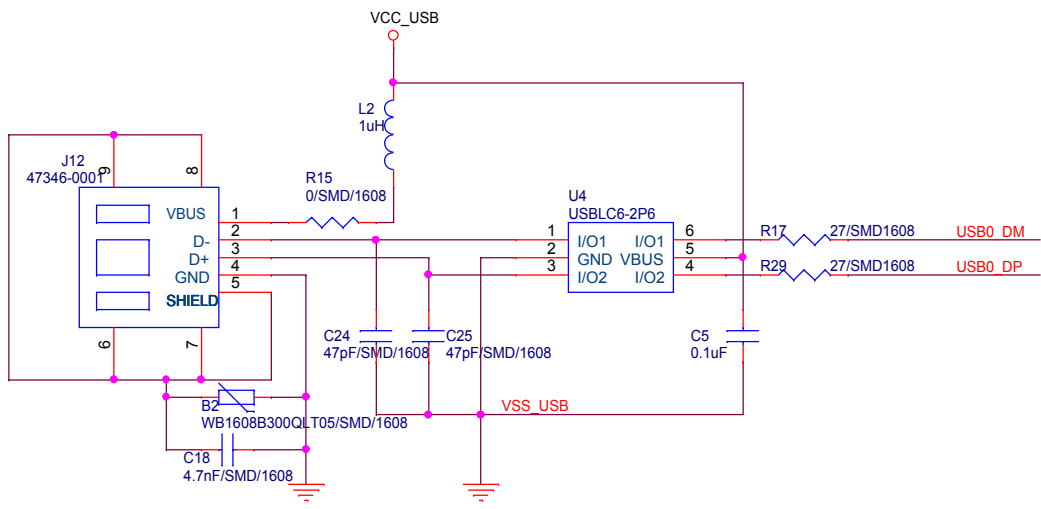
### USART



### RESET & E1 JTAG

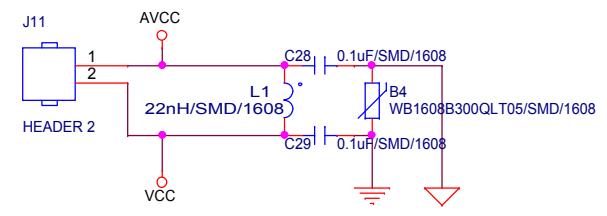
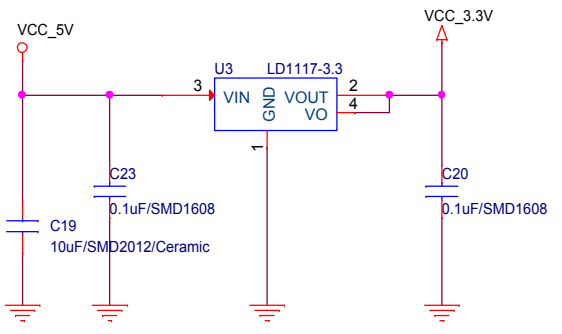
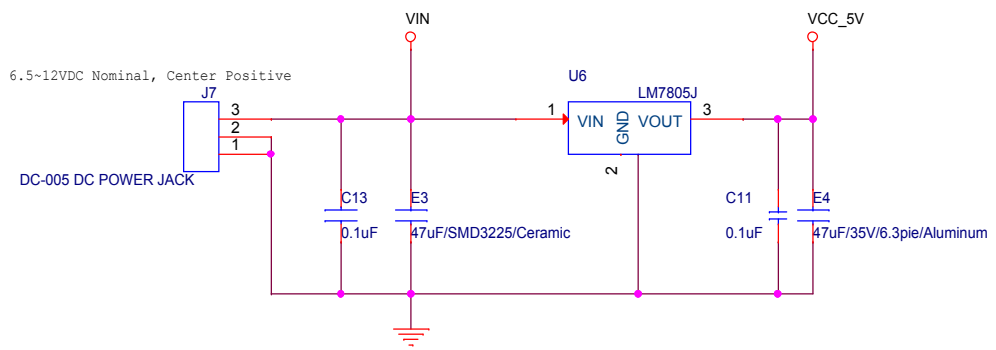


Title			<RX231 CapTouch Demo MCU>
Size	Document Number	Rev	<Rev
Date:	Friday, April 21, 2017	Sheet	1 of 1



J10 Power Selection

1&2	DC 3.3V
1&3	Ext. Battery from J13
1&4	DC 5V

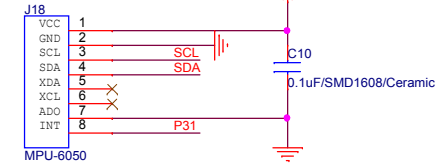
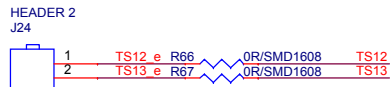
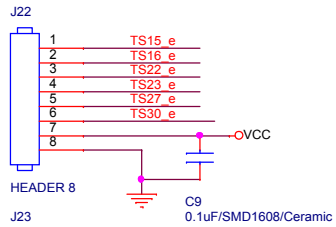
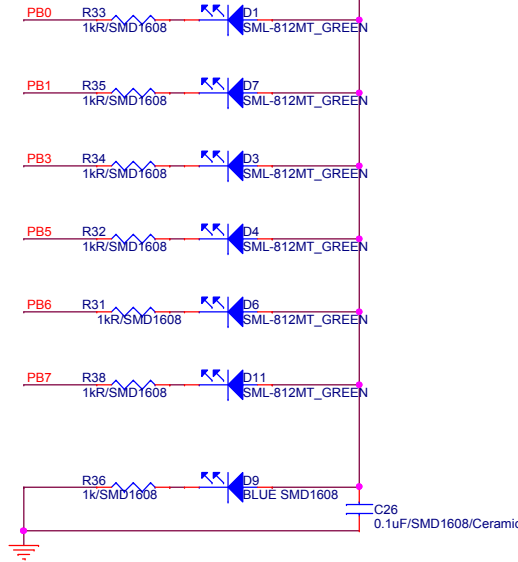
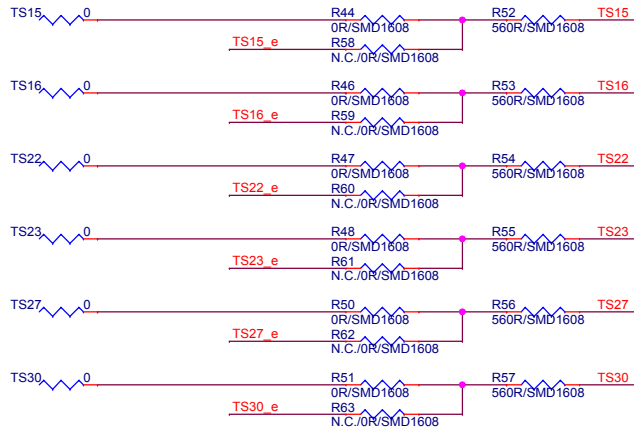


- AVCC >>> AVCC
- VIN >>> VIN
- VCC >>> VCC
- VCC\_3.3V >>> VCC\_3.3V
- GND >>> GND
- USB0\_DP >>> USB0\_DP
- USB0\_DM >>> USB0\_DM
- VSS\_USB >>> VSS\_USB
- VCC\_USB >>> VCC\_USB

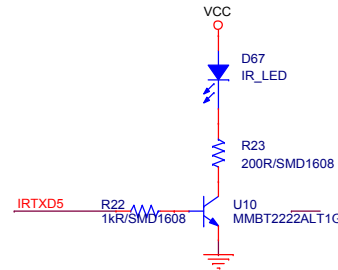
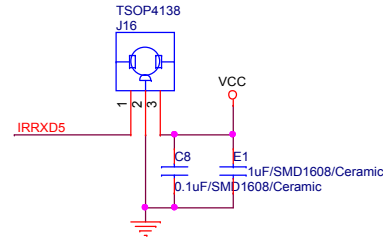
Title		
<RX231 CapTouch Demo Power>		
Size	Document Number	Rev
Custom	<Sial-20160829002>	<RevCode>
Date:	Friday, April 21, 2017	Sheet 1 of 1

# TOUCH SENSOR CONNECTOR

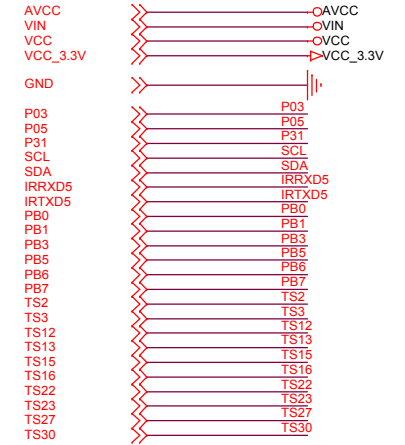
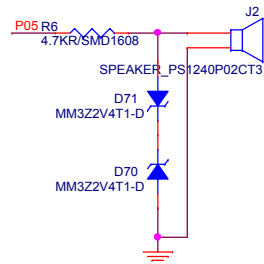
# LED



# Infra Red RX / TX



# SPEAKER



Title		
<RX231 CapTouch Demo GPIO>		
Size	Document Number	Rev
B	<<Sial-20160829003>>	<RevCode>
Date:	Friday, April 21, 2017	Sheet 1 of 1