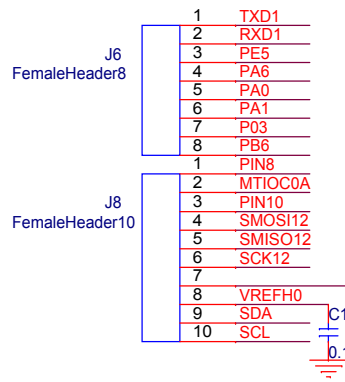
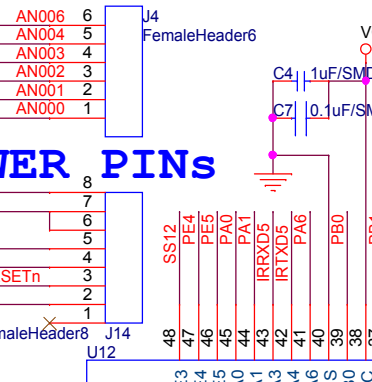


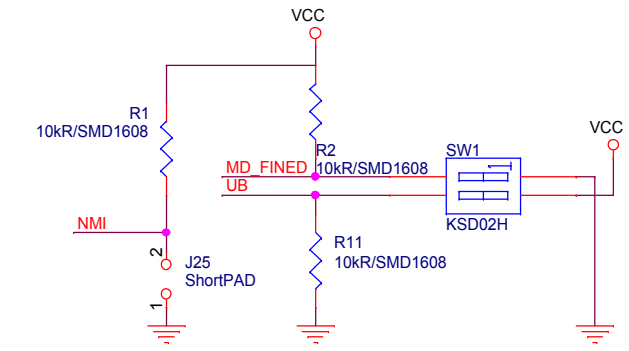
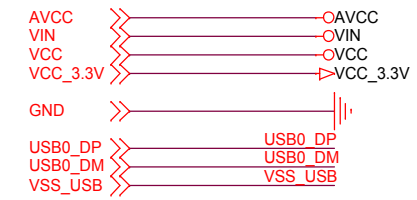
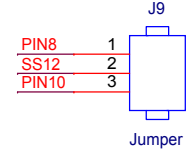
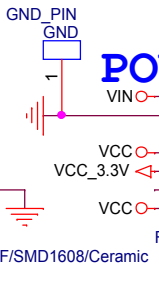
# DIGITAL I/O



# ANALOG INPUT



# POWER PINS

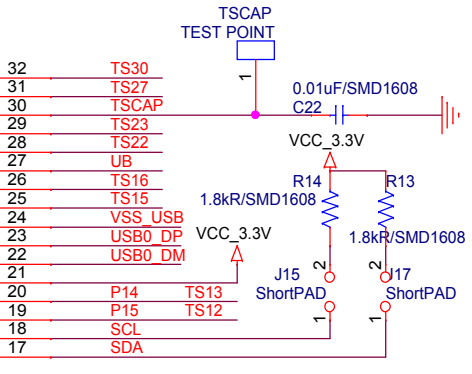
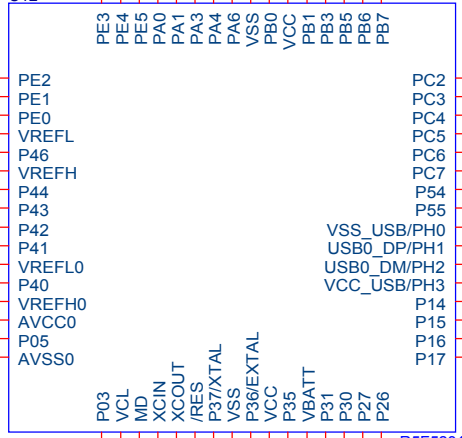
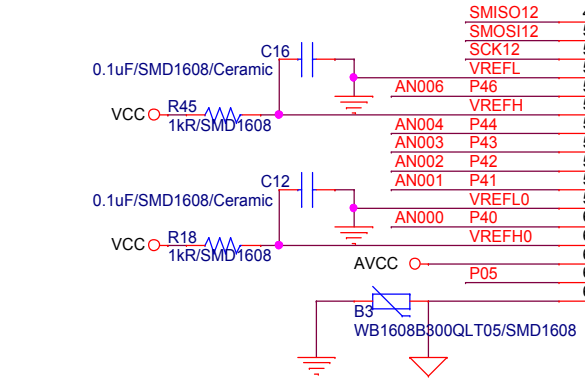


SW1 MCU Operating Mode configuration

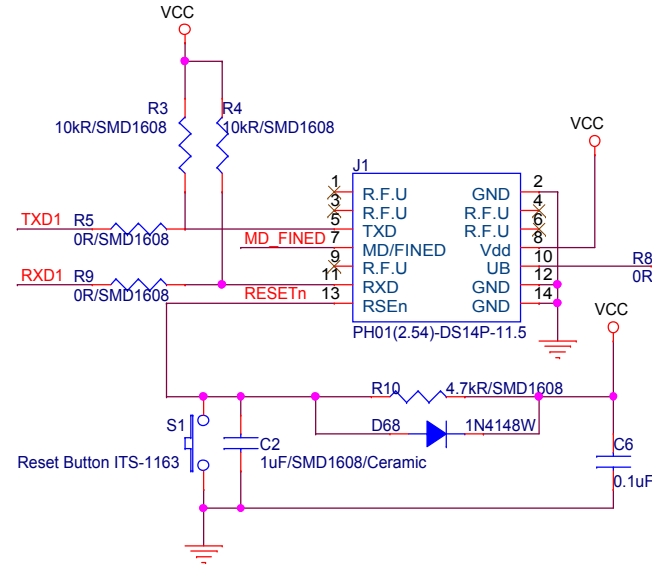
| 1   | 2   | Operating Mode          |
|-----|-----|-------------------------|
| OFF | OFF | FINE interface          |
| OFF | ON  | Single Chip             |
| ON  | OFF | Do not use              |
| ON  | ON  | USB interface Boot mode |

J25 USB Boot Mode Power Configuration

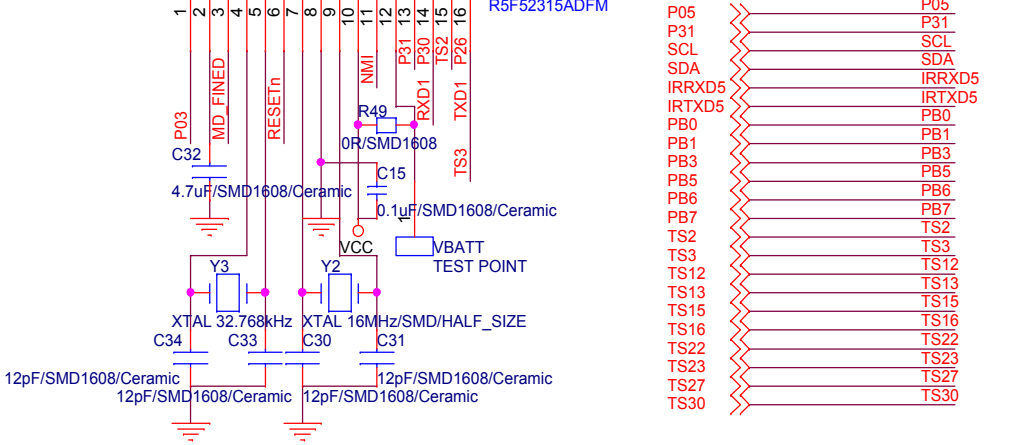
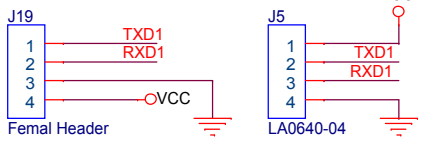
| Power Configuration for USB Boot |              |
|----------------------------------|--------------|
| OPEN                             | Bus Powered  |
| Short                            | Self Powered |



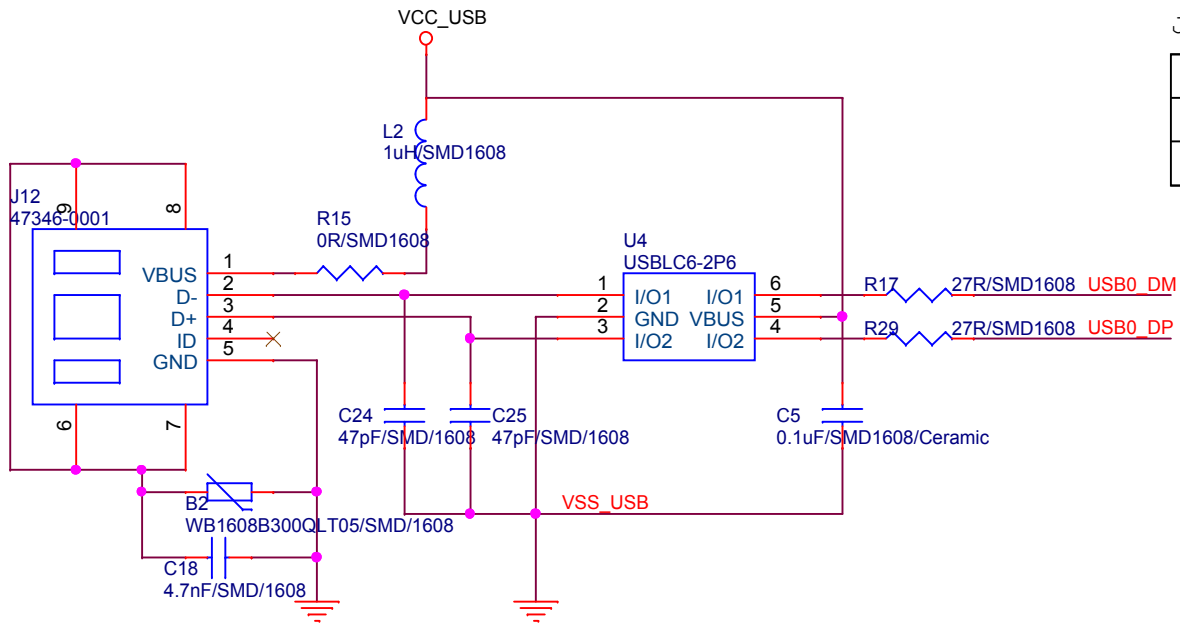
# RESET & E1 JTAG



# USART

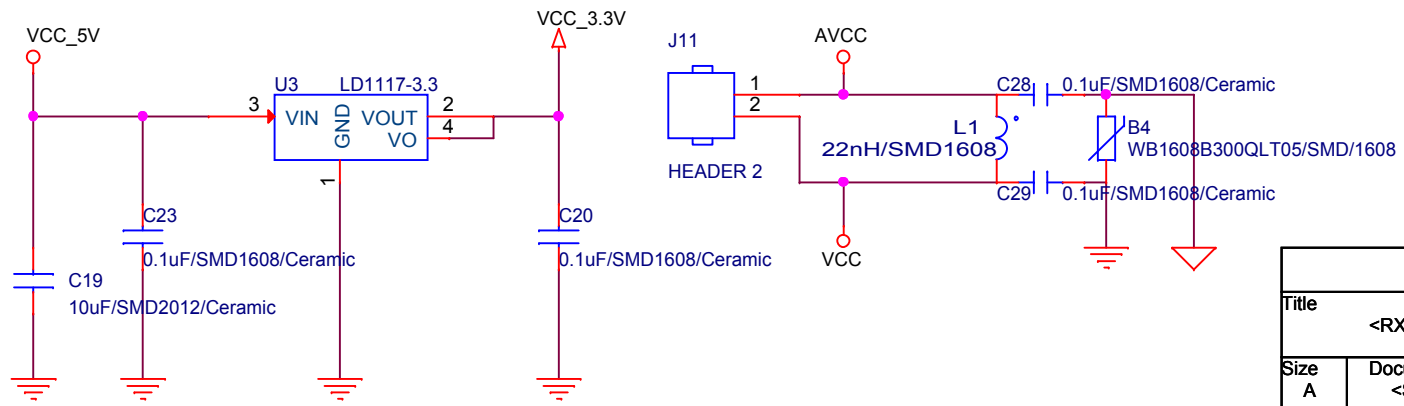
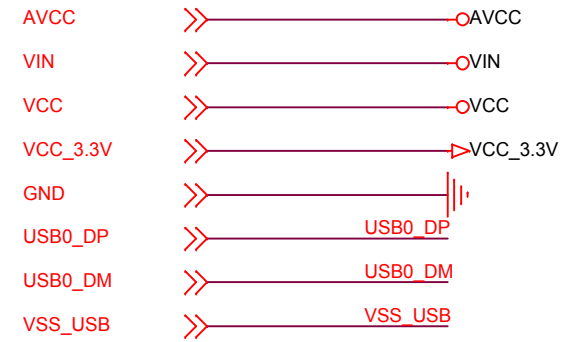
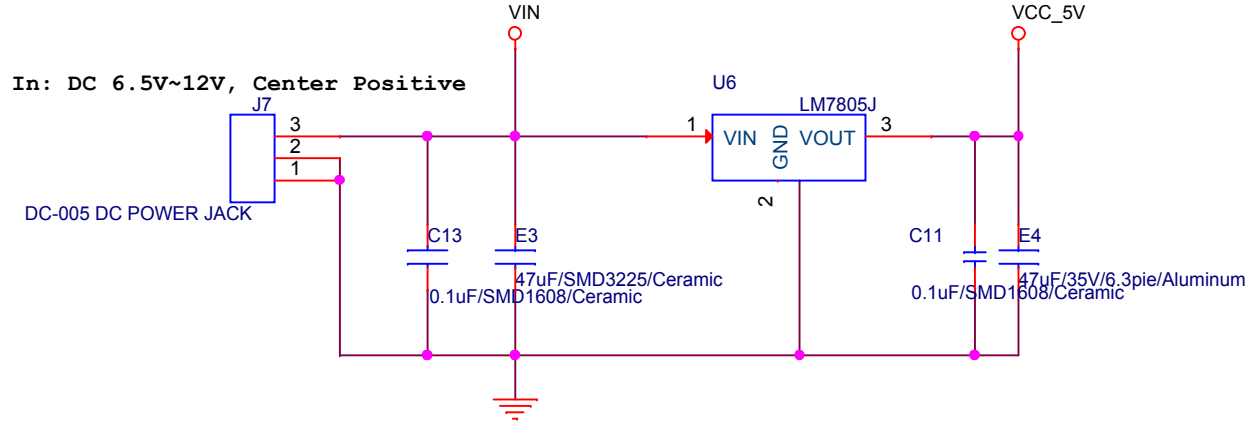
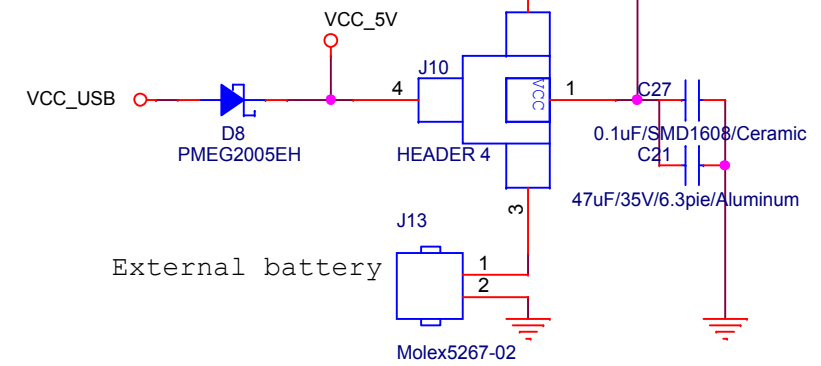


|                           |                          |              |
|---------------------------|--------------------------|--------------|
| Title                     |                          |              |
| <RX231 CapTouch Demo MCU> |                          |              |
| Size                      | Document Number          | Rev          |
| Custom                    | <Sial-2017062101>        | <RevC>       |
| Date:                     | Wednesday, June 21, 2017 | Sheet 1 of 1 |



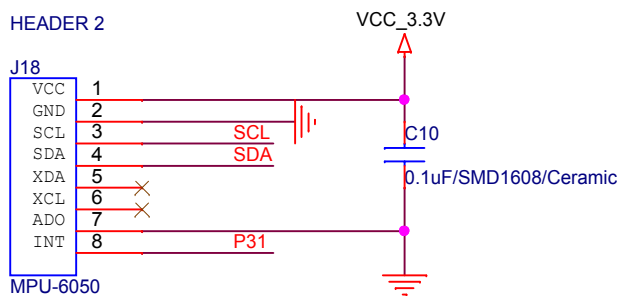
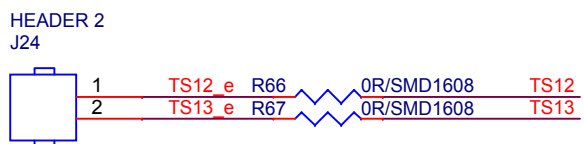
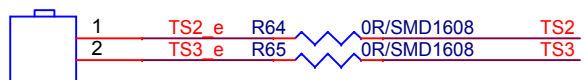
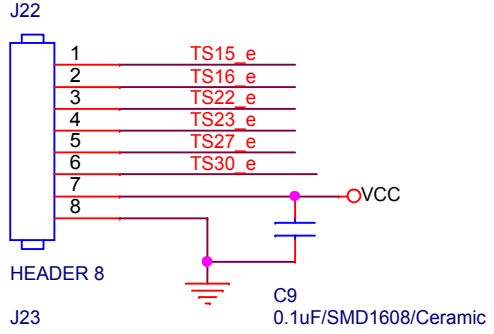
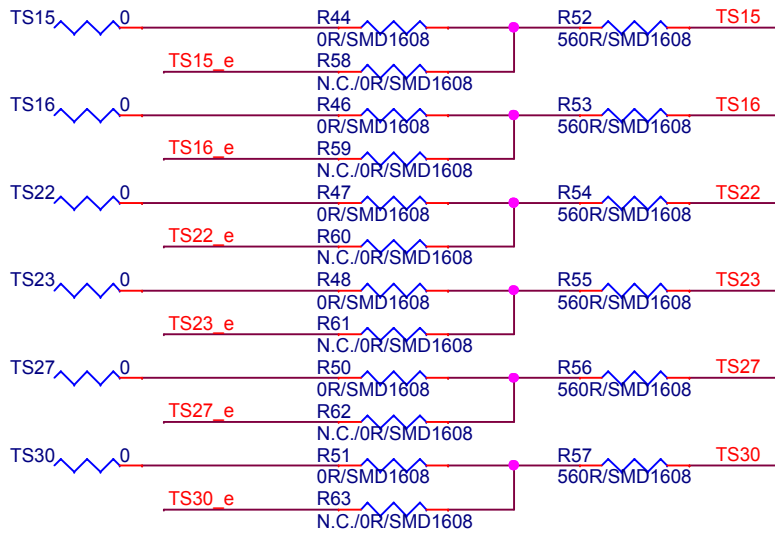
J10 Power Selection

|     |                       |
|-----|-----------------------|
| 1&2 | DC 3.3V               |
| 1&3 | Ext. Battery from J13 |
| 1&4 | DC 5V                 |

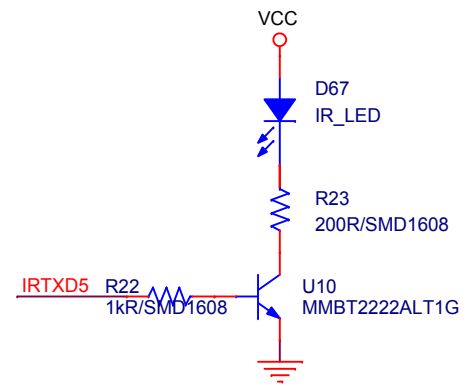
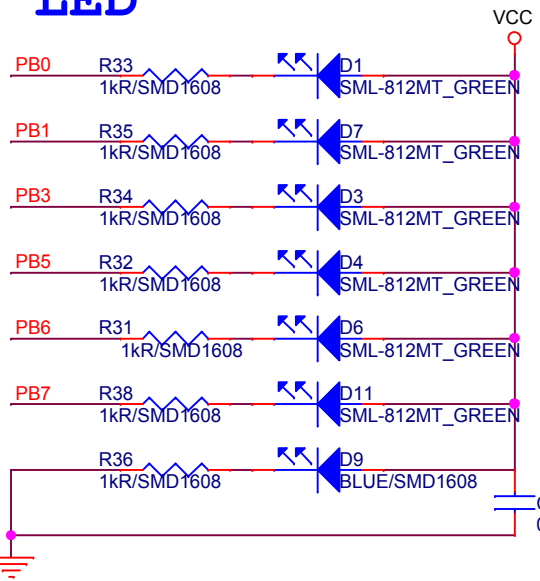


|                             |                       |              |
|-----------------------------|-----------------------|--------------|
| Title                       |                       |              |
| <RX231 CapTouch Demo Power> |                       |              |
| Size A                      | Document Number       | Rev          |
|                             | <Sial-2017062102>     | <RevCode>    |
| Date:                       | Friday, June 23, 2017 | Sheet 1 of 1 |

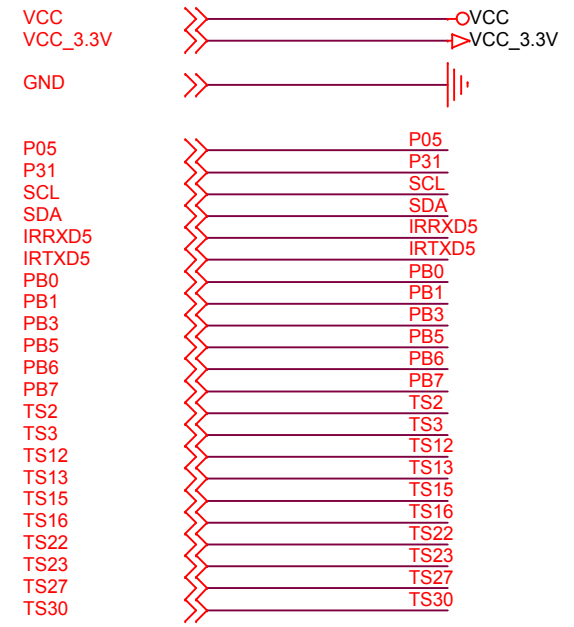
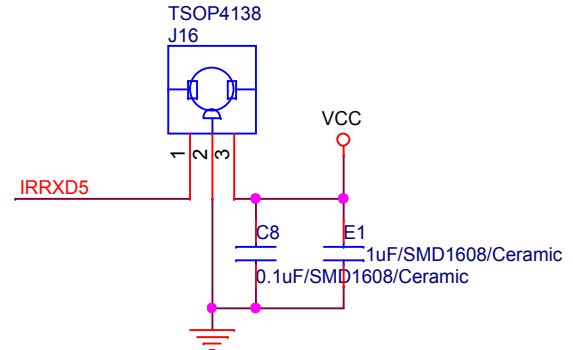
# TOUCH SENSOR CONNECTOR



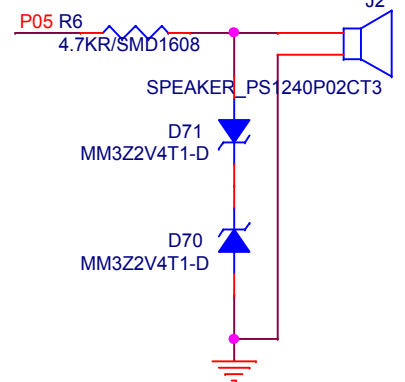
# LED



# Infra Red RX / TX



# SPEAKER



|                            |                          |              |
|----------------------------|--------------------------|--------------|
| Title                      |                          |              |
| <RX231 CapTouch Demo GPIO> |                          |              |
| Size                       | Document Number          | Rev          |
| A                          | <Sial-2017062103>        | <RevCode>    |
| Date:                      | Wednesday, June 21, 2017 | Sheet 1 of 1 |