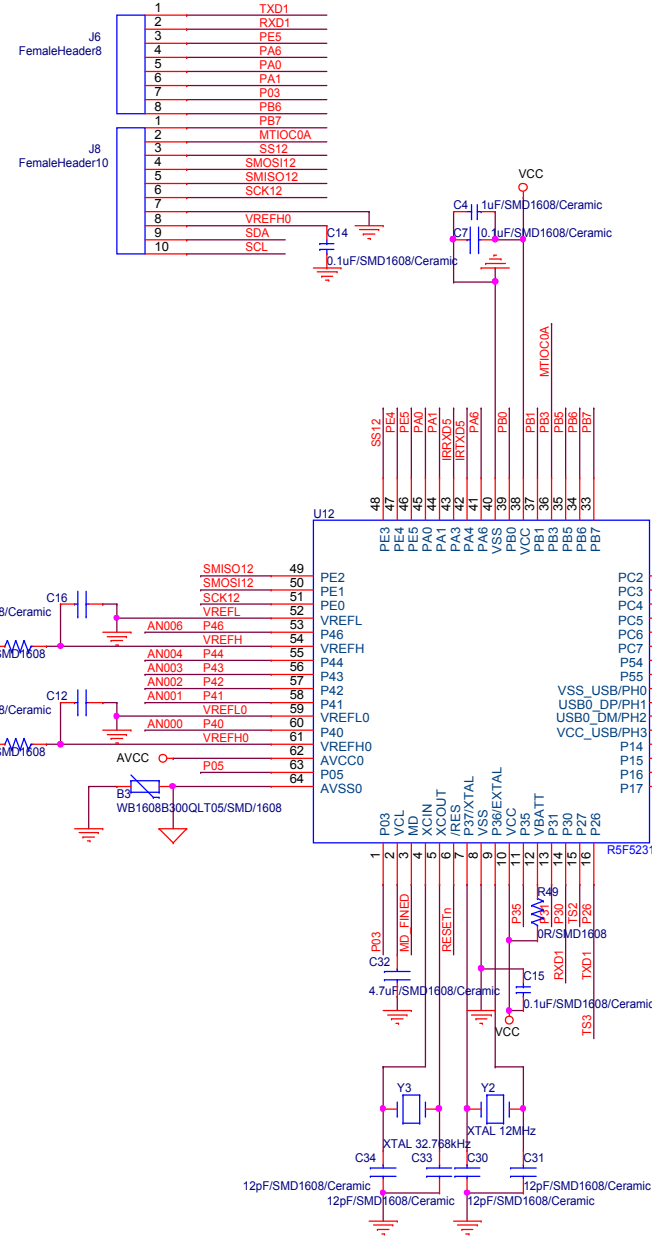
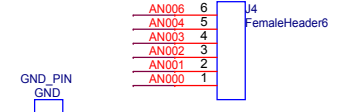


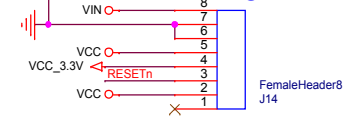
DIGITAL I/O



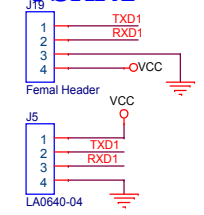
ANALOG INPUT



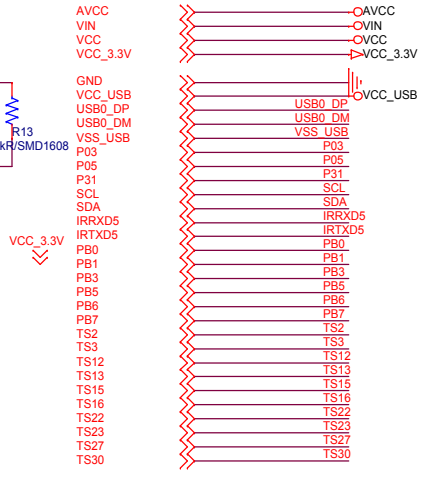
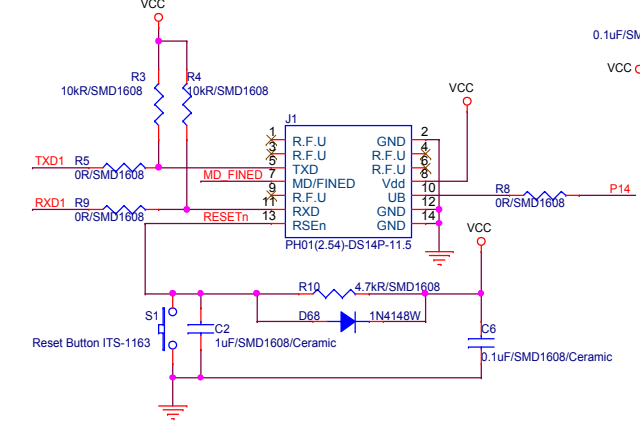
POWER PINS



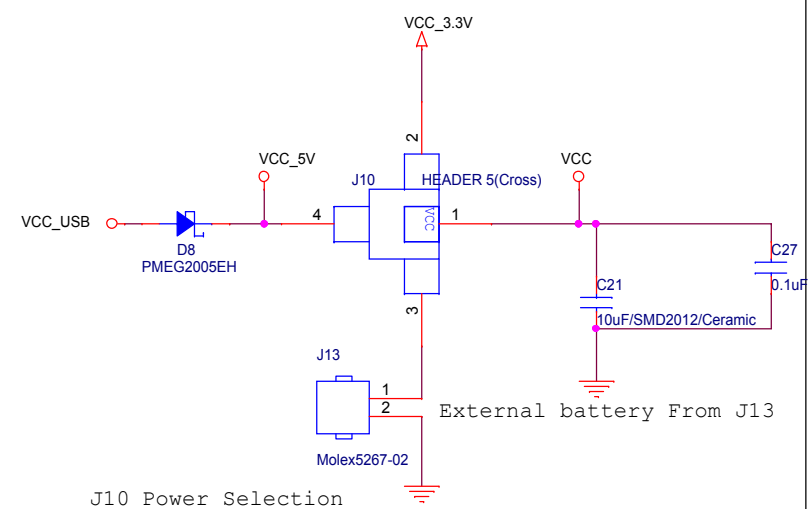
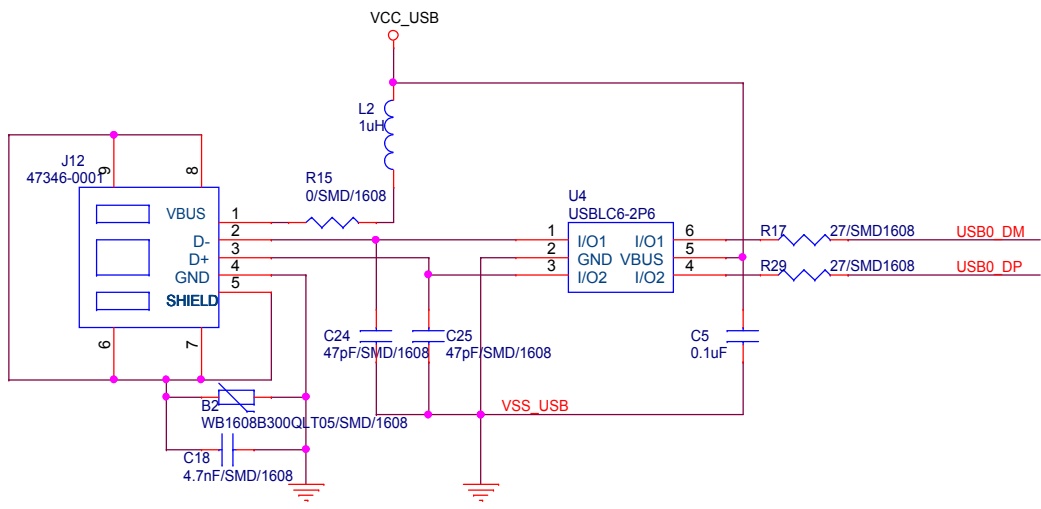
USART



RESET & E1 JTAG

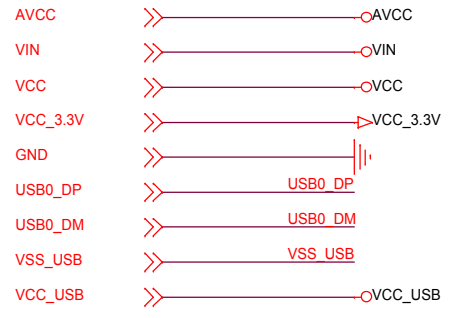
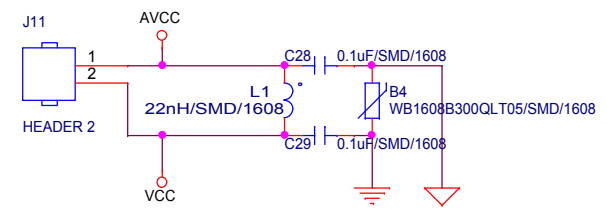
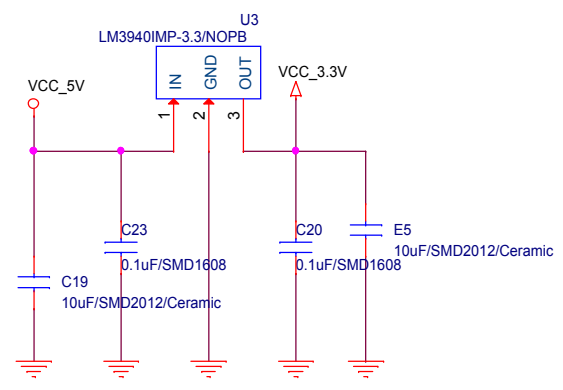
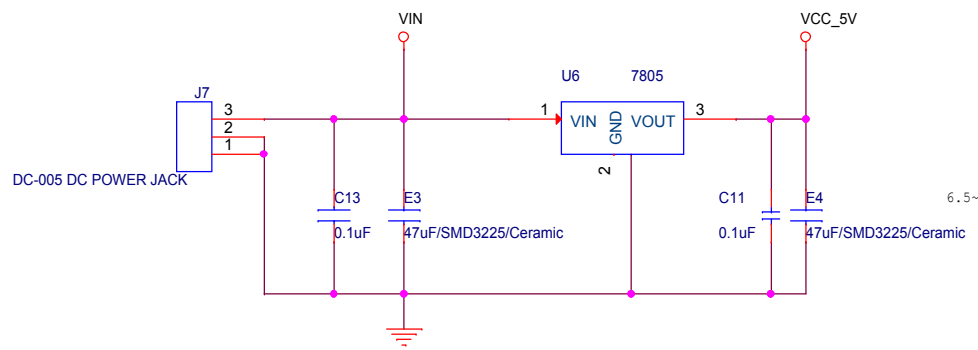


Title		
-RX231 CapTouch Demo MCU-		
Size	Document Number	Rev
	Custom Sial-20160829001	<Rev
Date:	Monday, April 10, 2017	Sheet 1 of 1



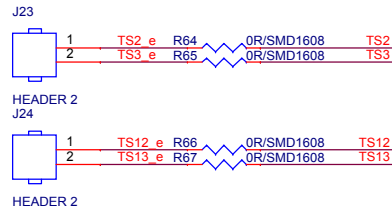
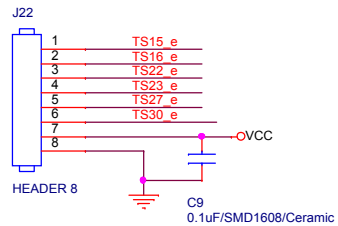
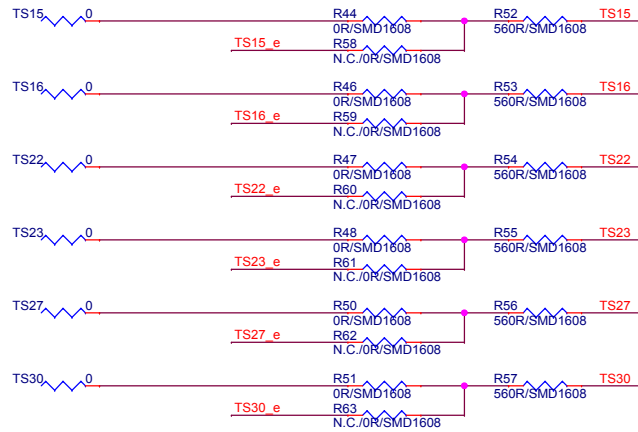
J10 Power Selection

1&2	DC 3.3V
1&3	Ext. Battery from J13
1&4	DC 5V

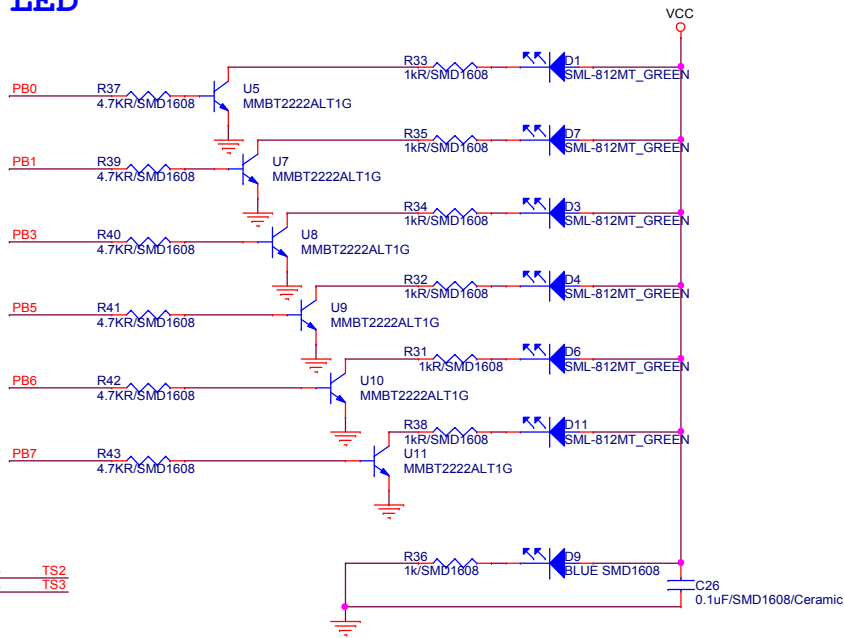


Title		<RX231 CapTouch Demo Power>	
Size	Document Number	Rev	<RevCode>
Custom	<Sial-20160829002>		
Date:	Monday, April 10, 2017	Sheet	1 of 1

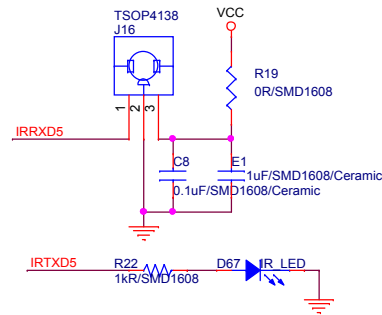
TOUCH SENSOR CONNECTOR



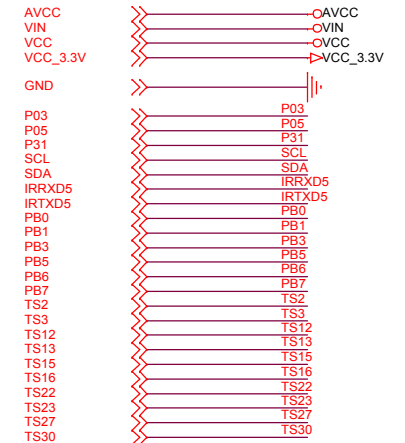
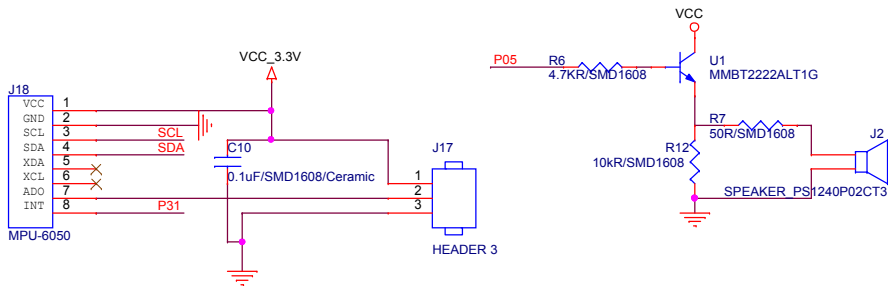
LED



Infra Red RX / TX



SPEAKER



Title		
<RX231 CapTouch Demo GPIO>		
Size	Document Number	Rev
B	<<Sial-20160829003>>	<RevCode>
Date:	Monday, April 10, 2017	Sheet 1 of 1