

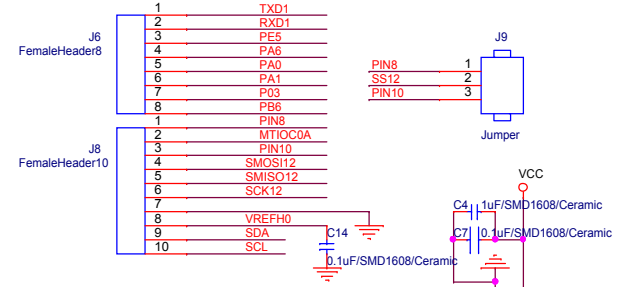
J25 MCU Operating Mode

1	Operating Mode
OFF	Single Chip/DEBUG Mode
ON	USB Boot Mode

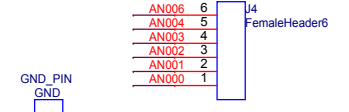
USB Boot Mode Power Configuration

2	Power Configuration for USB Boot
OFF	Bus Powered
ON	Self Powered

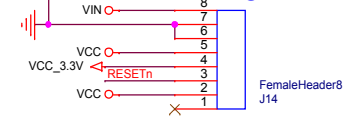
DIGITAL I/O



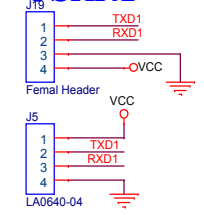
ANALOG INPUT



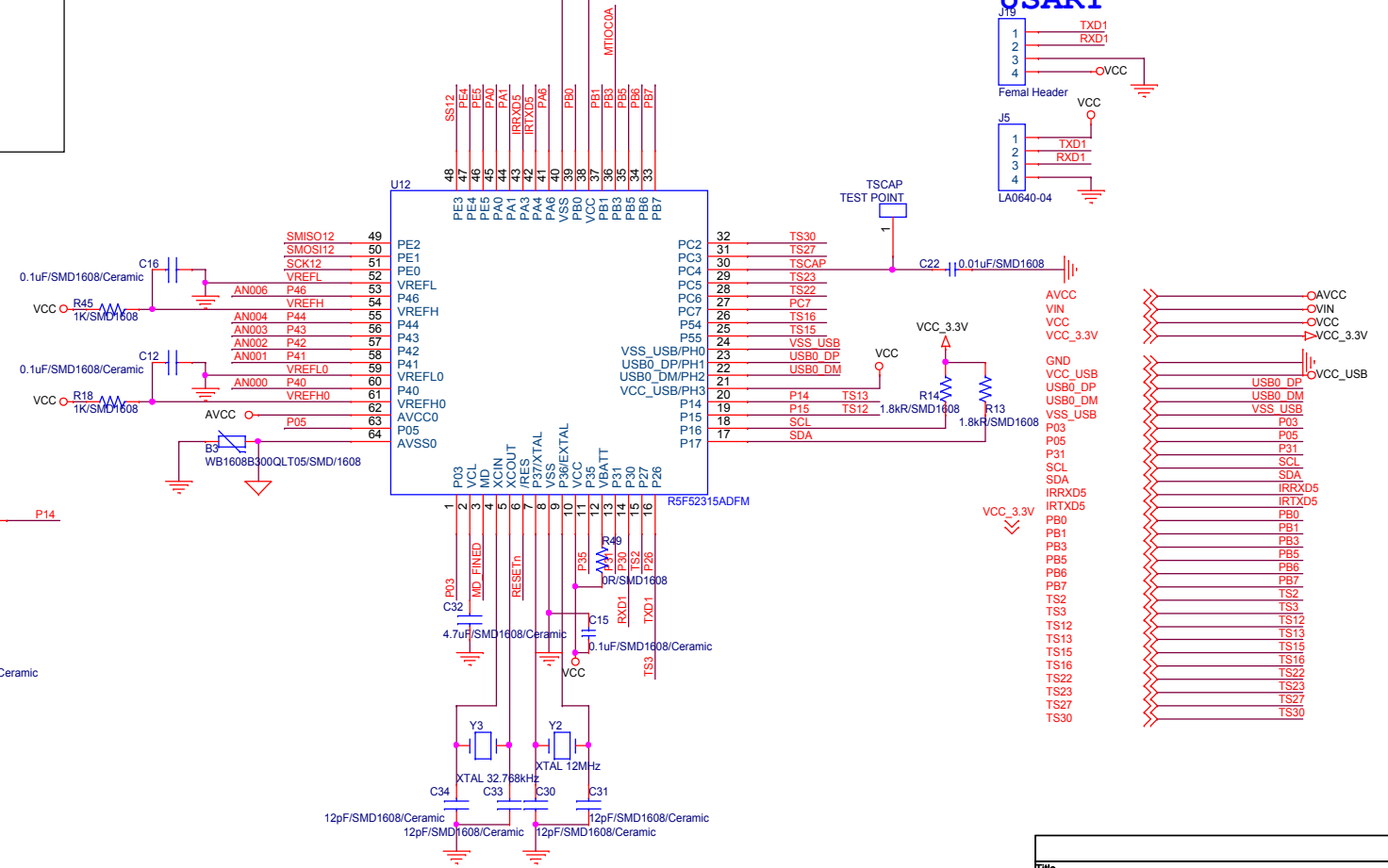
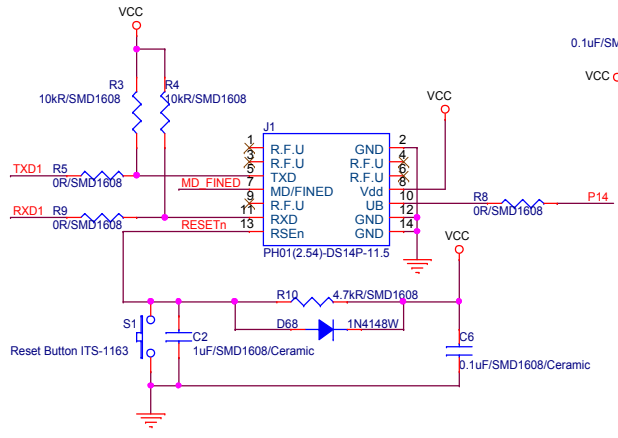
POWER PINS

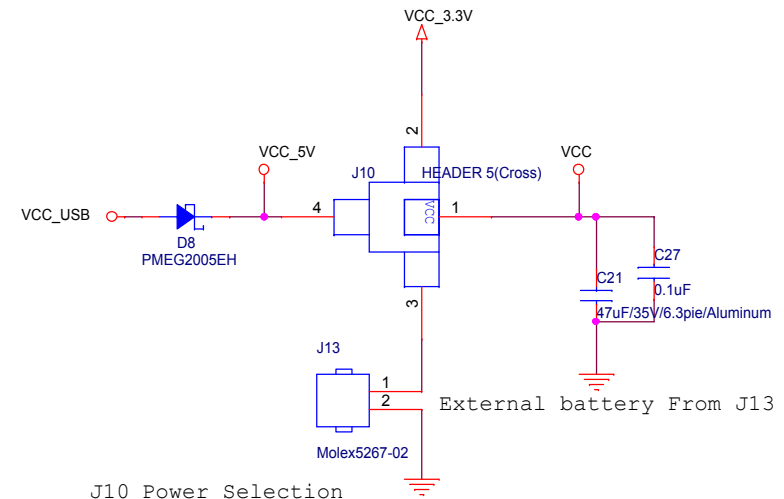
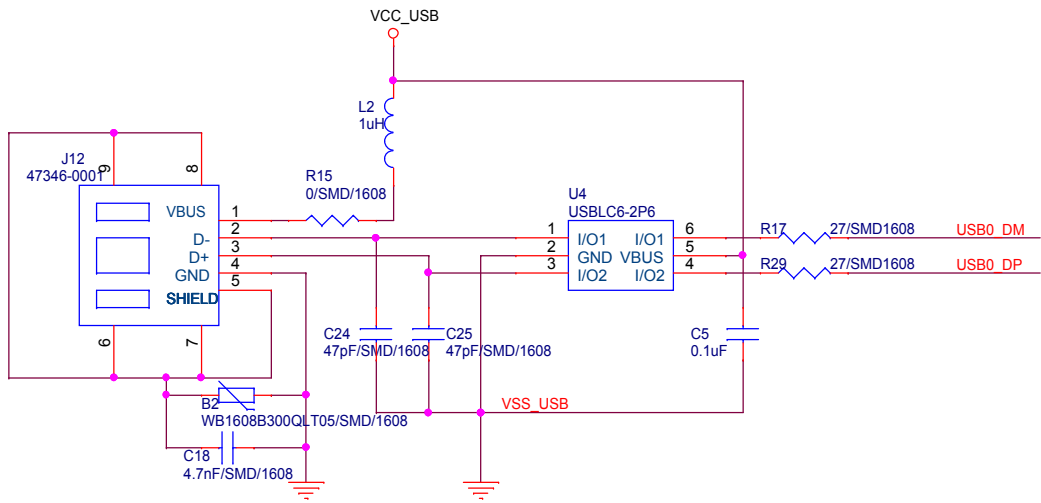


USART



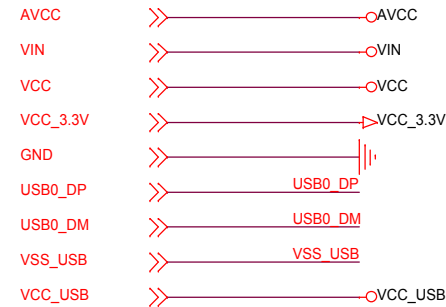
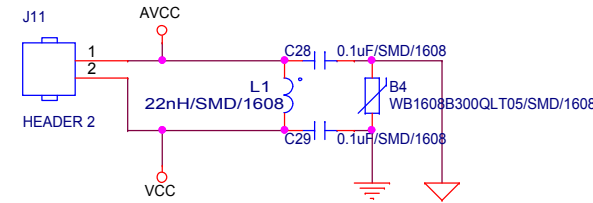
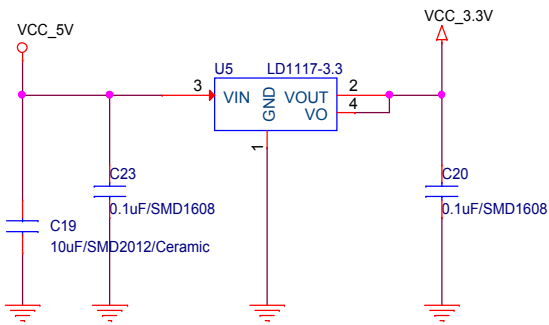
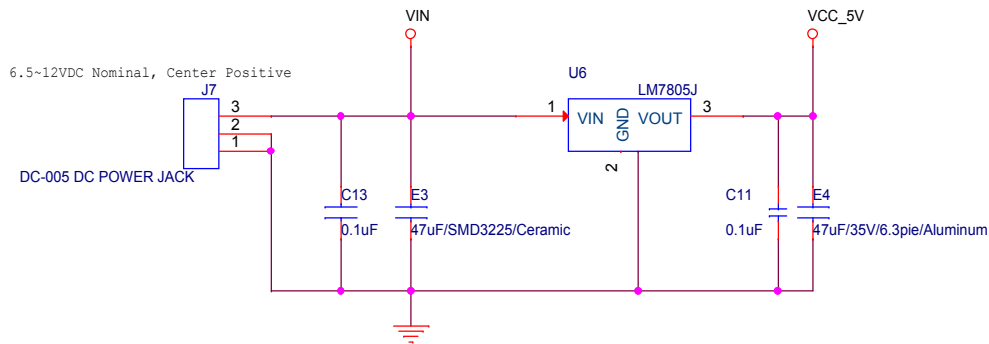
RESET & E1 JTAG





J10 Power Selection

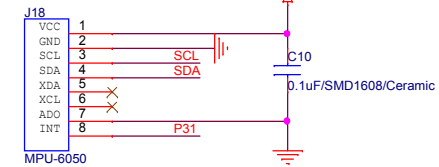
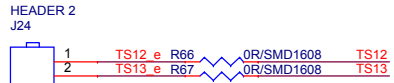
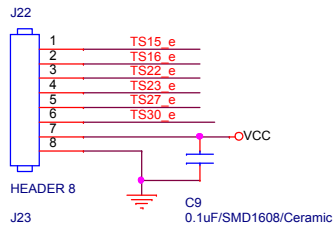
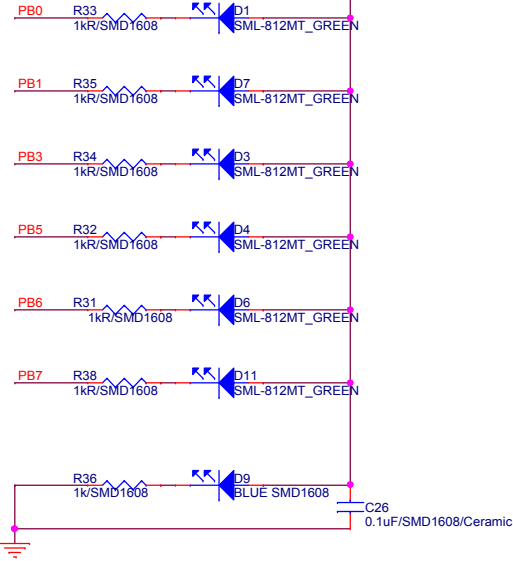
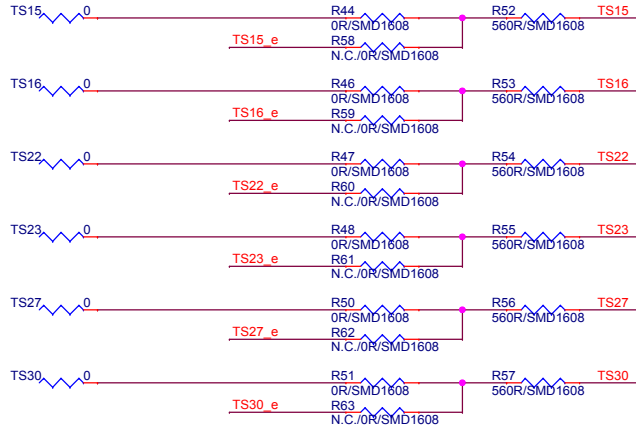
1&2	DC 3.3V
1&3	Ext. Battery from J13
1&4	DC 5V



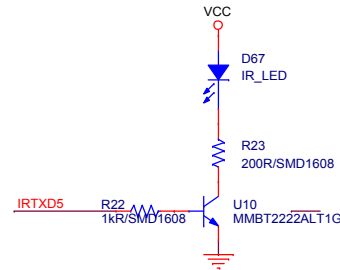
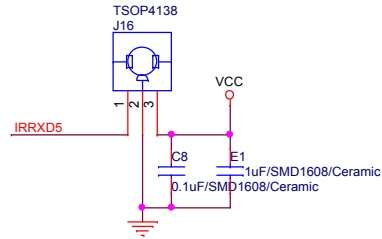
Title		
<RX231 CapTouch Demo Power>		
Size	Document Number	Rev
Custom	<Sial-20160829002>	<RevCode>
Date:	Monday, March 27, 2017	Sheet 1 of 1

TOUCH SENSOR CONNECTOR

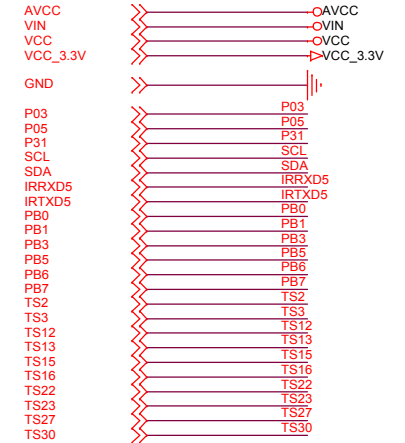
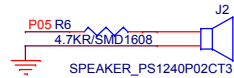
LED



Infra Red RX / TX



SPEAKER



Title		
<RX231 CapTouch Demo GPIO>		
Size	Document Number	Rev
B	<<Sial-20160829003>>	<RevCode>
Date:	Monday, March 27, 2017	Sheet 1 of 1